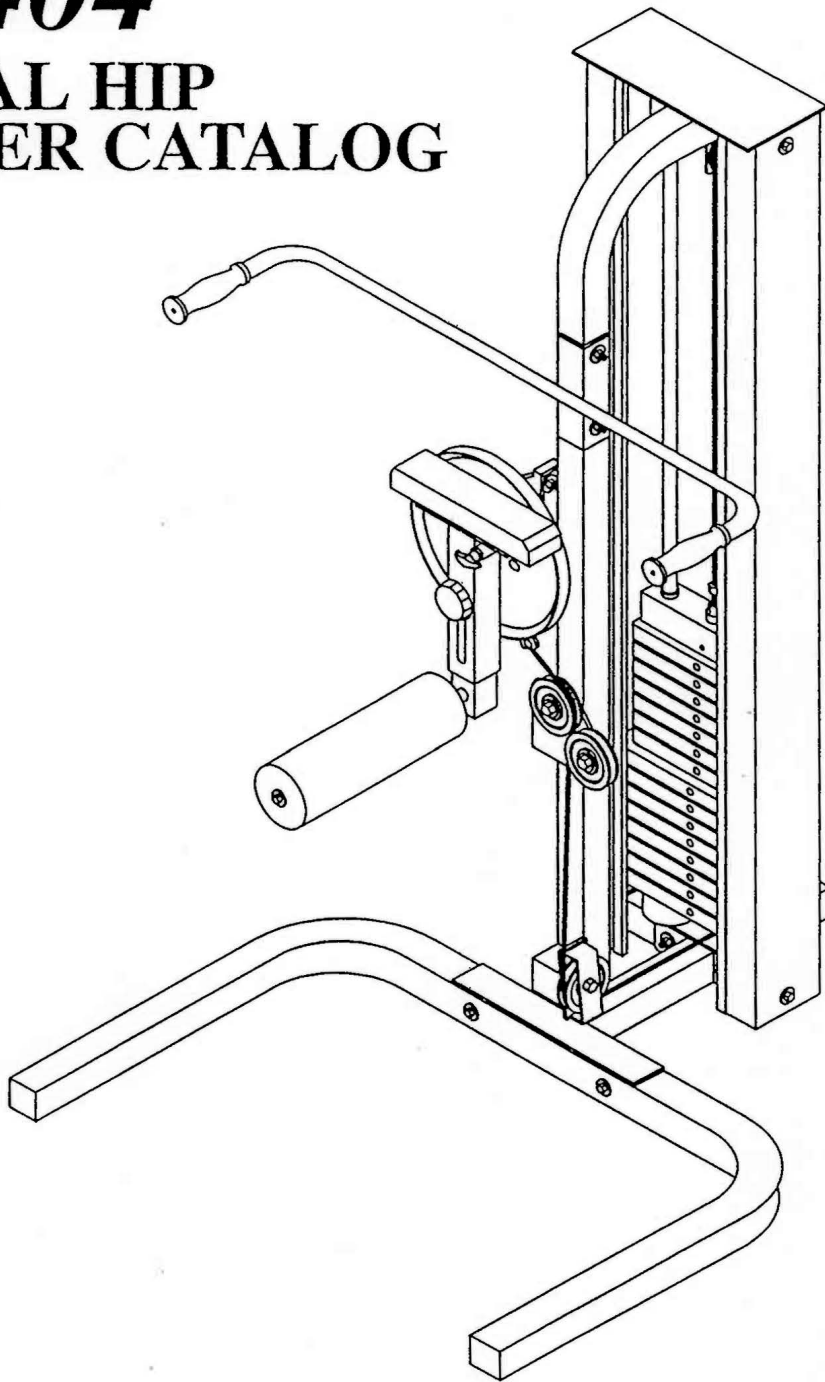


HOIST[®]
FITNESS SYSTEMS

S404

**TOTAL HIP
CUSTOMER CATALOG**

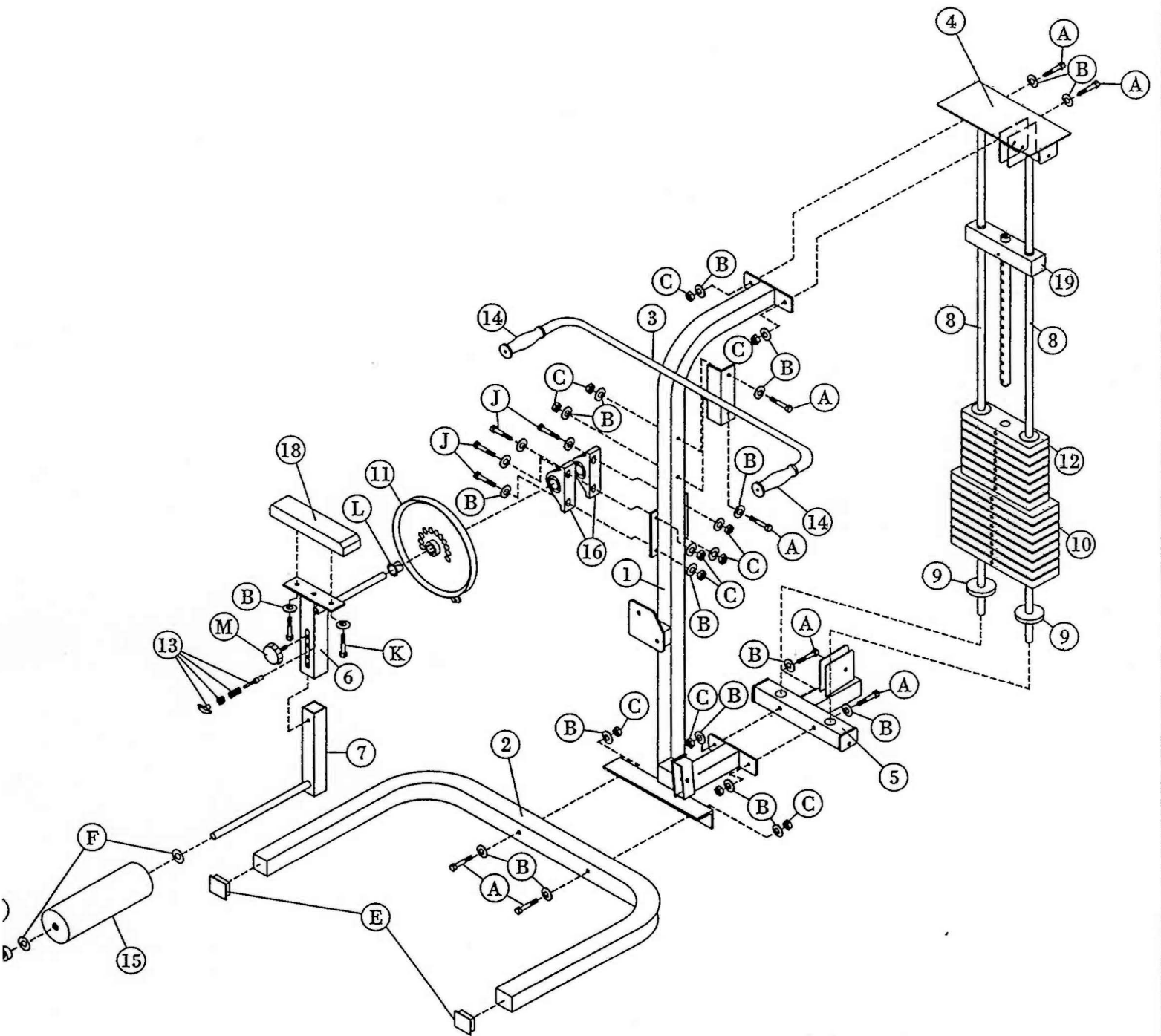


JUNE '95

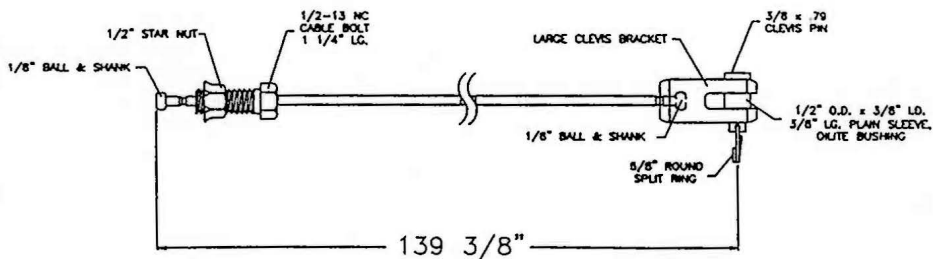
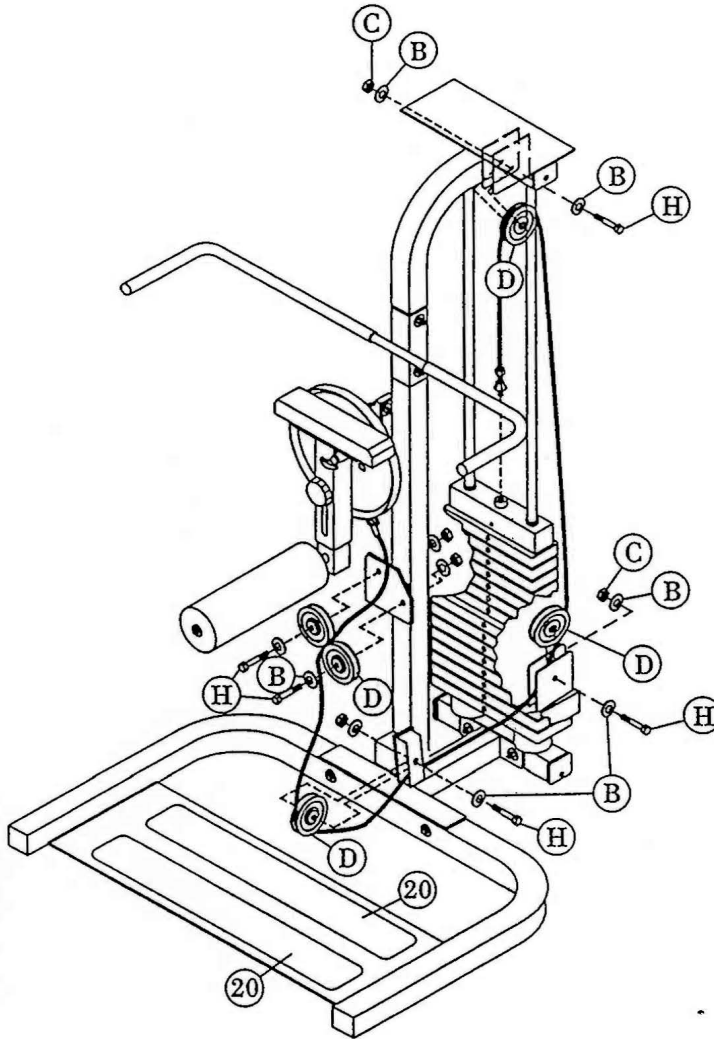
S404

TOTAL HIP

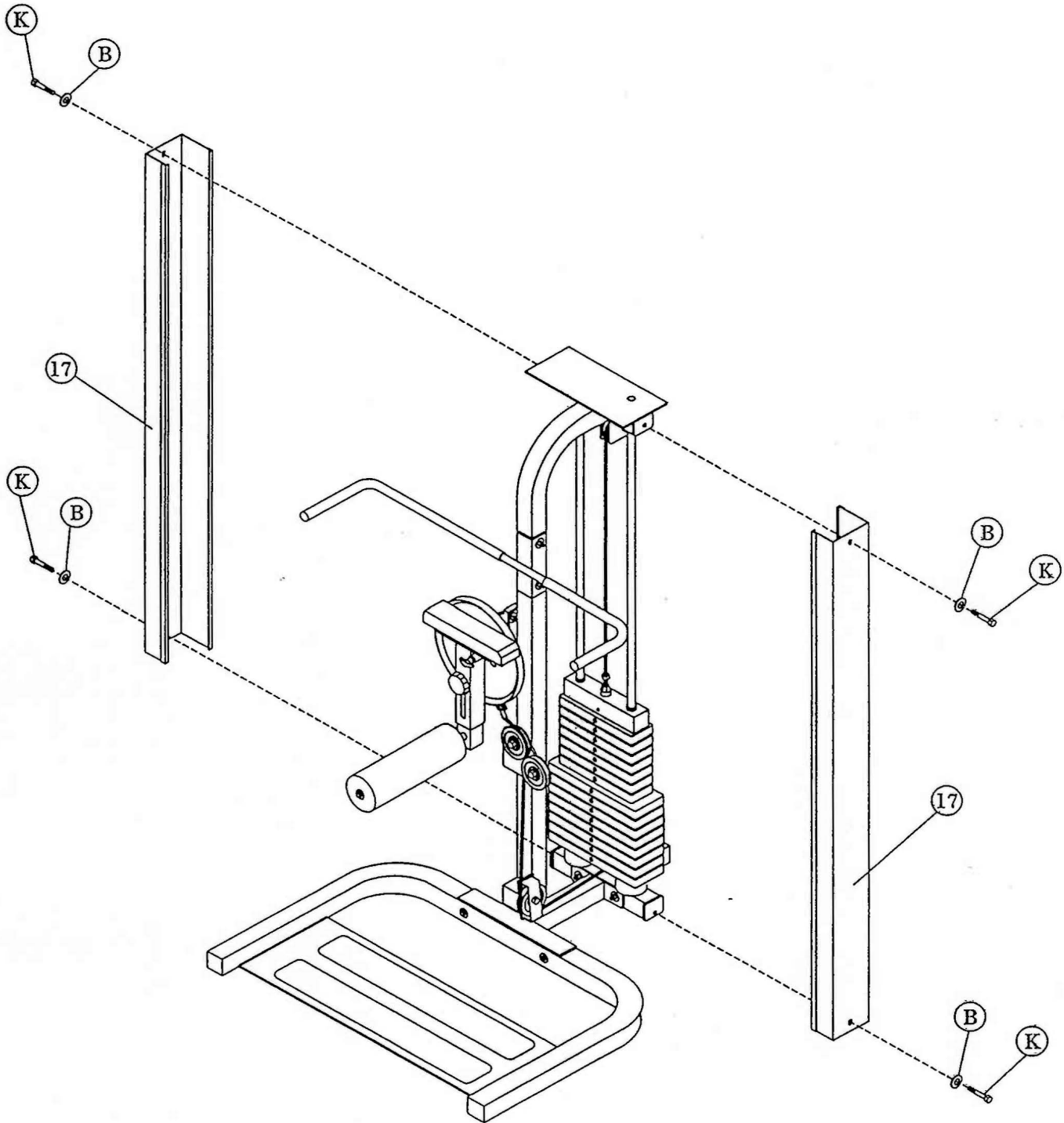
CUSTOMER CATALOG



S404 TOTAL HIP CUSTOMER CATALOG



S404 TOTAL HIP CUSTOMER CATALOG



INTRODUCTION

Thank you for your decision to purchase Hoist Fitness Equipment and congratulations on your commitment to fitness. Taking responsibility for your own health and well being is a most admirable quality. As you start your exercise program remember that regaining fitness is much harder than maintaining fitness, so make fitness a habit.

We at Hoist Fitness Systems are sure that you will be completely satisfied with the quality and performance of your purchase. If you do encounter a problem do not hesitate to call your authorized Hoist dealer.

Please retain this manual for your records. It contains information you will need to order replacement parts as well as a copy of the warranty for future reference. Please be sure to record the serial number of your machine on the catalog as well as in the warranty information. The serial number of your machine is used when tracking warranty information.

WARRANTY

Hoist Fitness Systems

Limited Lifetime Warranty

Hoist Fitness Systems warrants this product to the original purchaser to be free from defects in workmanship and/or materials under normal use or service. If at any time a component part is defective, Hoist Fitness Systems shall repair or replace it (at Hoist Fitness Systems option) within a reasonable period of time. This warranty does not cover costs of removal, transportation or reinstallation. This warranty shall not apply if the defect was caused by misuse, neglect or normal wear and tear. All malfunctions of electronic components, cables or upholstery which occur after one year and all malfunctions of pulleys, bearings or bushings which occur after five years from the date of purchase, are considered normal wear and tear.

Hoist Fitness Systems sole responsibility shall be to repair or replace the component within the terms stated above. Hoist Fitness Systems shall not be liable for any loss or damage of any kind including any incidental or consequential damages resulting, directly or indirectly from any warranty expressed or implied or any other failure of this product.

WHAT IS NOT COVERED BY THIS WARRANT Hoist's sole obligation under this warranty is limited to either repair or replacement of parts, subject to the additions below. This warranty neither assumes nor authorizes any person to assume obligations other than expressly covered by this warranty.

NO CONSEQUENTIAL DAMAGES Hoist is not responsible for economic loss; profit loss, or special, indirect, or consequential damages.

WARRANTY IS NOT TRANSFERABLE This warranty is not assignable and applies only in favor of the original purchaser/user to whom delivered. Any such assignment or transfer shall void the warranties herein made and shall void all warranties, express, implied or statutory, except the one (1) and (5) year warranty described above. These warranties are exclusive and in lieu of all other warranties, including implied warranty and merchantability or fitness for a particular purpose. There are no warranties which extend beyond the description on the face hereof.

ALTERATION, NEGLIGENCE, ABUSE, MISUSE, NORMAL WEAR & TEAR, ACCIDENT, DAMAGE DURING TRANSIT OR INSTALLATION, FIRE, FLOOD ACTS OF GOD. Hoist is not responsible for the repair or replacement of any parts that Hoist determines have been subjected after the date of manufacture to alteration, neglect, abuse, misuse, normal wear & tear, accident, damage during transit or installation, fire, flood, or an ACT OF GOD

TRANSPORTATION COSTS Hoist will accept parts covered under this warranty freight collect, provided that shipment has received prior approval. Hoist is not responsible for any other transportation costs, but will ship freight collect parts either repaired or replaced under these warranties.

WARRANTY CLAIMS All claims should include: model number, the serial number, proof of purchase, date of installation, and all pertinent information supporting the existence of the alleged defect.